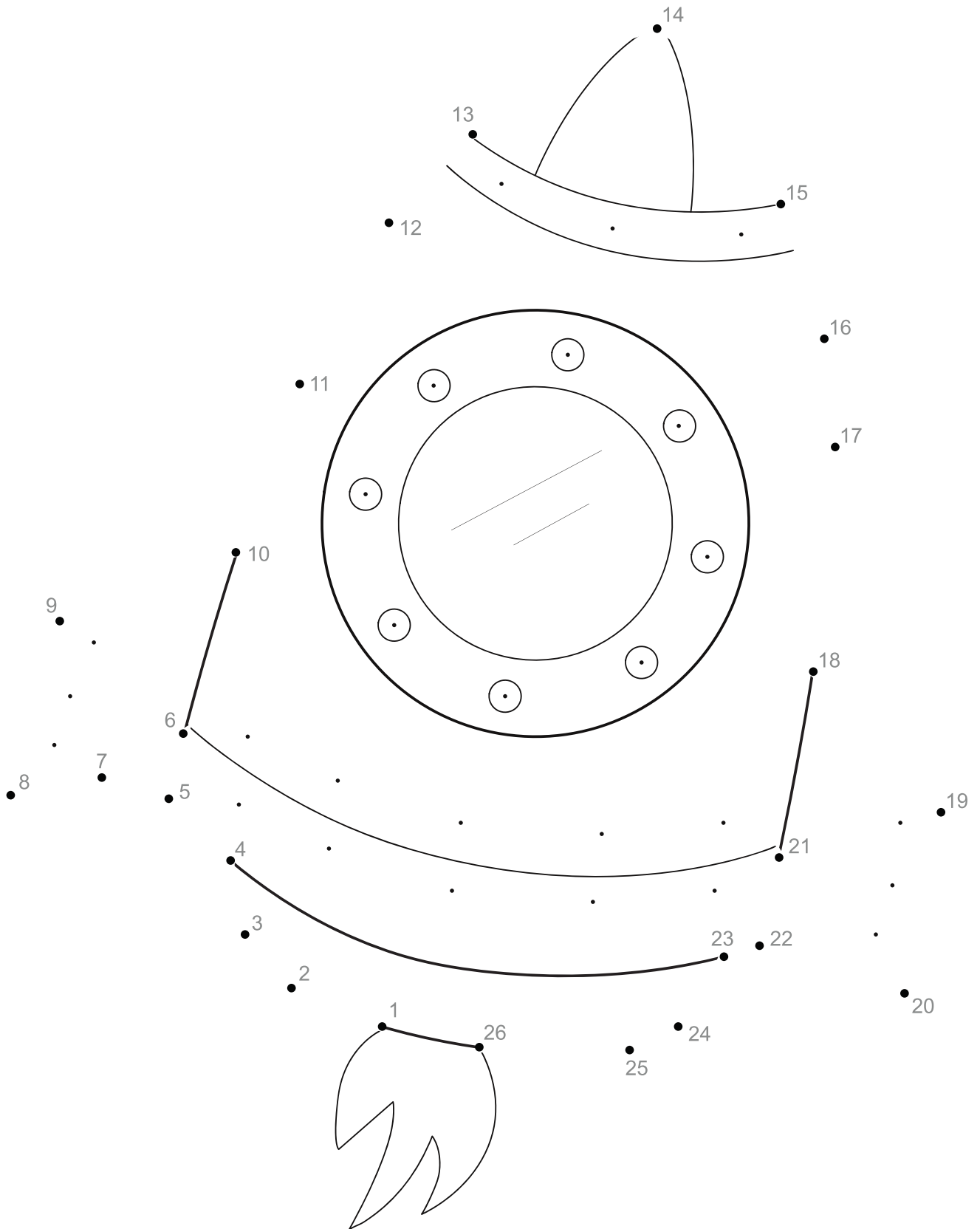


Dot to Dot

Connect the numbers together to find out what the below image is.



Show us what you have made on the [Kids Club Online Gallery](#).