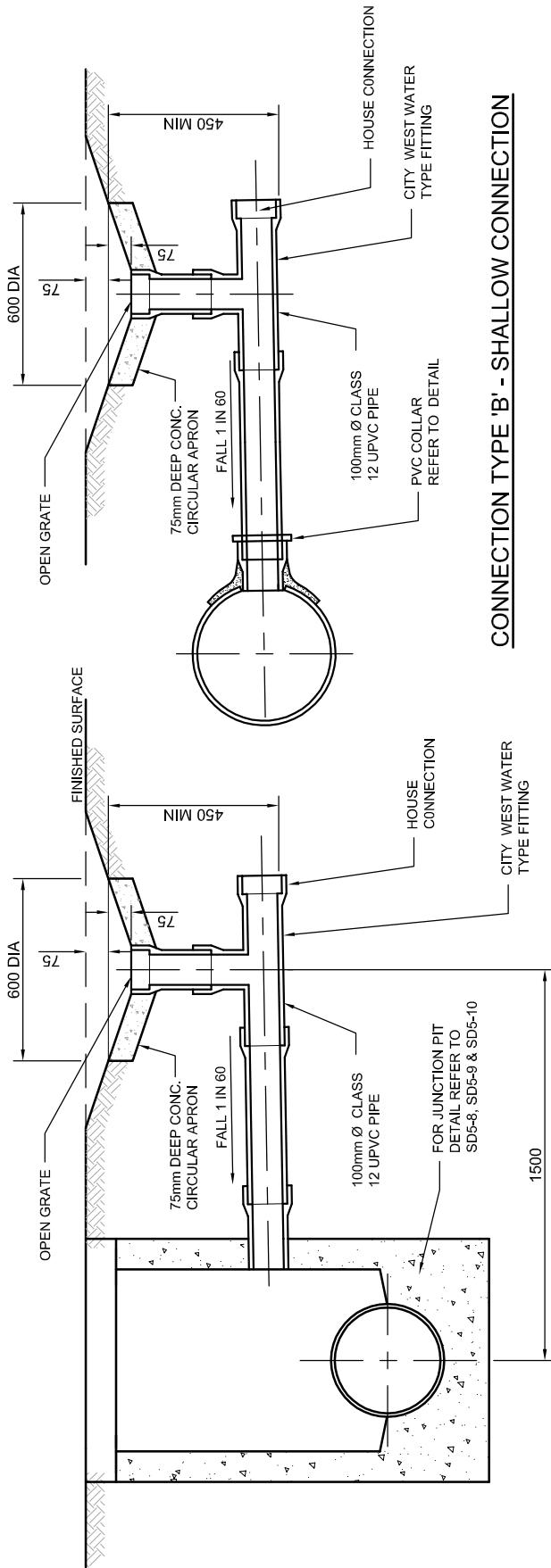
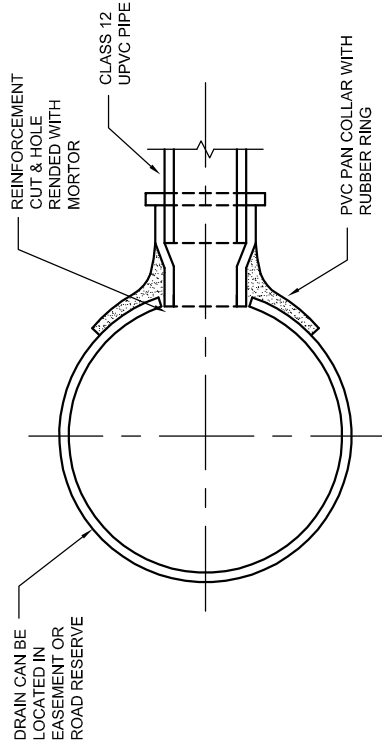


Drawing name: I:\Roads Shared\Standard Dwg Review 2007\SD6-3.dwg (22 May, 2009)



**CONNECTION TYPE 'B' - SHALLOW CONNECTION**

**CONNECTION TYPE 'J' - EASEMENT CONNECTION**



**DETAIL**

Rev	Amendments	Approved	Date
B	Minor Drafting Modifications		14-05-07



**EASEMENT PROPERTY  
CONNECTION TYPE "B" & "J"  
FOR SHALLOW DRAINS**

Engineering Services Approval No.: ES001      Date: 21/05/09

Cad File : SD6-3.DWG  
 Drawn Date : 02/02/09  
 Revision : B  
 Drawing No. **SD6-3**

**GENERAL NOTES:**

- DRAWINGS ARE NOT TO SCALE.
- ALL MEASUREMENTS ARE IN MILLIMETERS UNLESS OTHERWISE STATED.
- FOR UP TO DATE DRAWINGS PLEASE CHECK WYNDHAM CITY COUNCIL WEB SITE.
- ALL STANDARD DRAWINGS TO BE USED IN CONJUNCTION WITH SD1-1 (STANDARD DRAWINGS CONDITIONS OF USE).