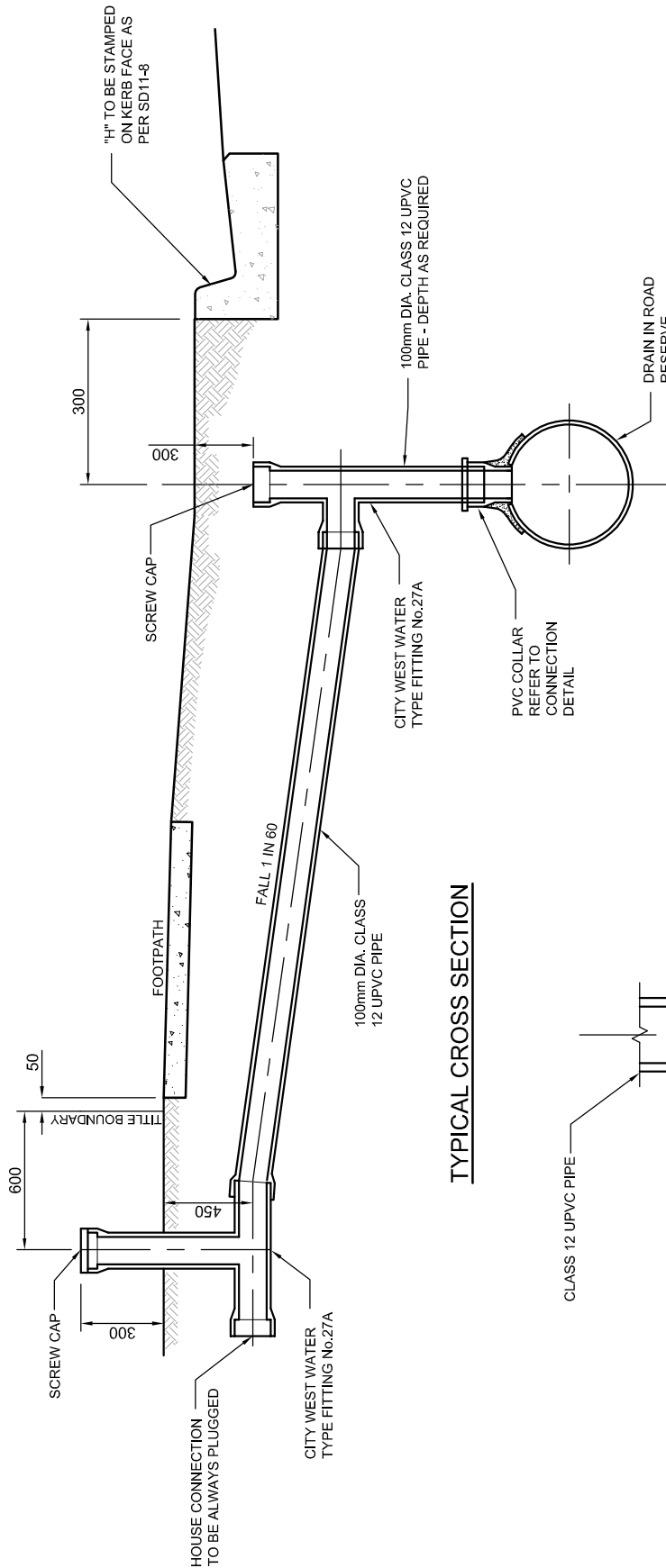
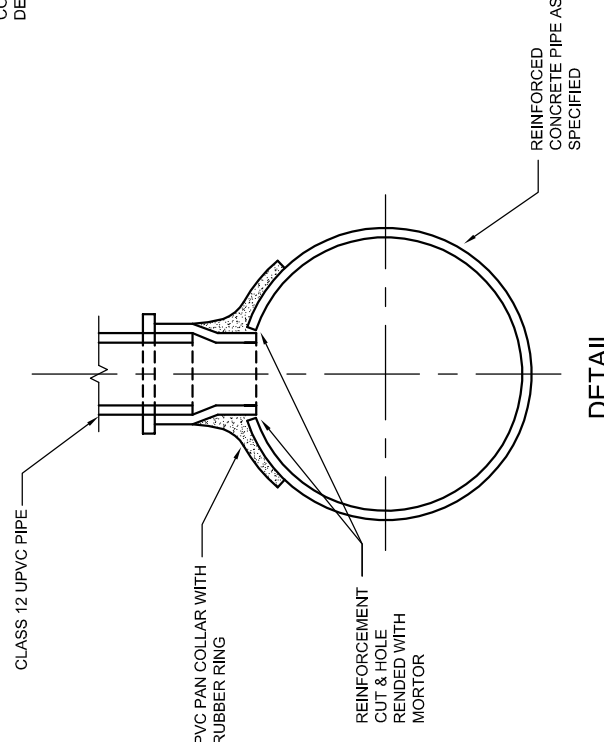


Drawing name: I:\Roads Shared\Standard Drawings\_May\_2009\AutoCad Version\SD6-2.dwg (03 Sep, 2009)



**TYPICAL CROSS SECTION**



Rev	Amendments	Approved	Date
B	Minor Drafting Modifications		16-05-07
C	Increased HD inspection point cover to 300mm		01-09-09



**PROPERTY CONNECTION TO UNDERGROUND DRAIN**

Engineering Services Approval No.: ES002      Date: 01/09/09

Cad File: SD6-2.DWG  
 Drawn Date: 02/02/09  
 Revision: C  
 Drawing No. **SD6-2**

**GENERAL NOTES:**  
 -DRAWINGS ARE NOT TO SCALE.  
 -ALL MEASUREMENTS ARE IN MILLIMETERS UNLESS OTHERWISE STATED.  
 -FOR UP TO DATE DRAWINGS PLEASE CHECK WYNDHAM CITY COUNCIL WEB SITE.  
 -ALL STANDARD DRAWINGS TO BE USED IN CONJUNCTION WITH SD1-1 (STANDARD DRAWINGS CONDITIONS OF USE).