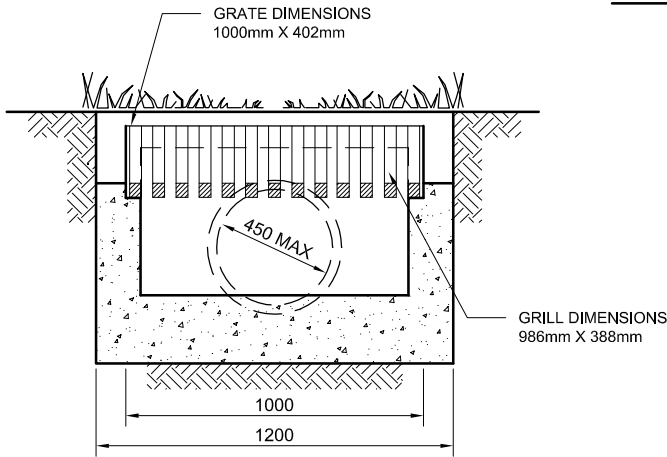


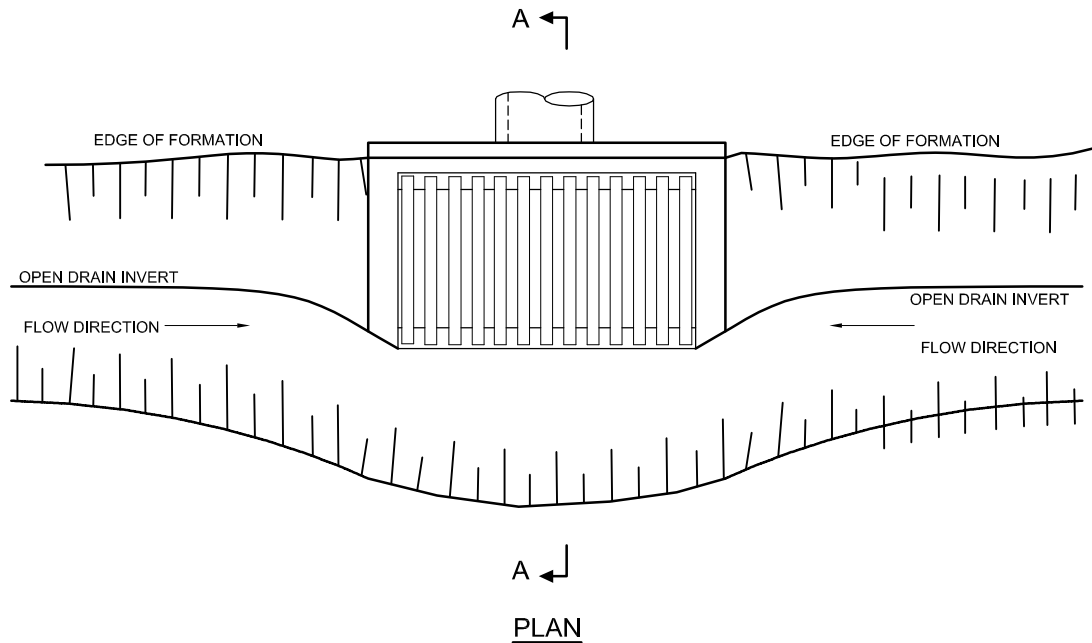
**SECTION A-A**



**SECTION B-B**

**NOTES:**

1. REINFORCEMENT NOT REQUIRED FOR THIS PIT TYPE.
2. ALL PITS TO BE LOCATED A MINIMUM OF 1m CLEAR OF VEHICLE CROSSINGS
3. CLASS D GRILLE TO BE USED AS APPROVED BY WYNDHAM CITY COUNCIL'S MANAGER, ENGINEERING SERVICES.
4. NOT TO BE CONSTRUCTED WITHIN CLEAR ZONE.
5. CONCRETE STRENGTH OF 25MPa AT 28 DAYS.



**PLAN**

Drawing name: I:\Roads Shared\Standard Drawings May 2009\AutoCad Version\SD5-4.dwg (01 Jun, 2009)

Rev	Amendments	Approved	Date
B	Minor Drafting Modifications		13-05-07



<b>SHALLOW INLET CATCH PIT FOR OPEN DRAIN</b> (FOR PIPES UP TO 450mm DIAMETER)		Cad File : SD5-4.DWG
		Drawn Date : 02/02/09
Engineering Services Approval No.: ES001		Revision : B
Date : 21/05/09		Drawing No. <b>SD5-4</b>

**GENERAL NOTES:**

- DRAWINGS ARE NOT TO SCALE.
- ALL MEASUREMENTS ARE IN MILLIMETERS UNLESS OTHERWISE STATED.
- FOR UP TO DATE DRAWINGS PLEASE CHECK WYNDHAM CITY COUNCIL WEB SITE.
- ALL STANDARD DRAWINGS TO BE USED IN CONJUNCTION WITH SD1-1 (STANDARD CONDITIONS OF USE).