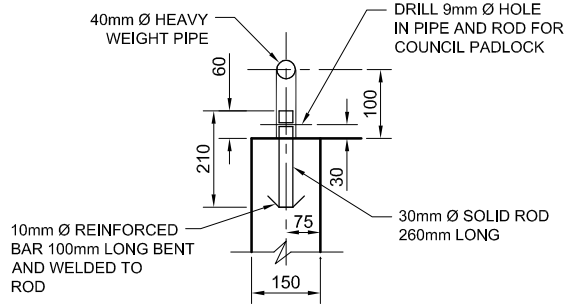
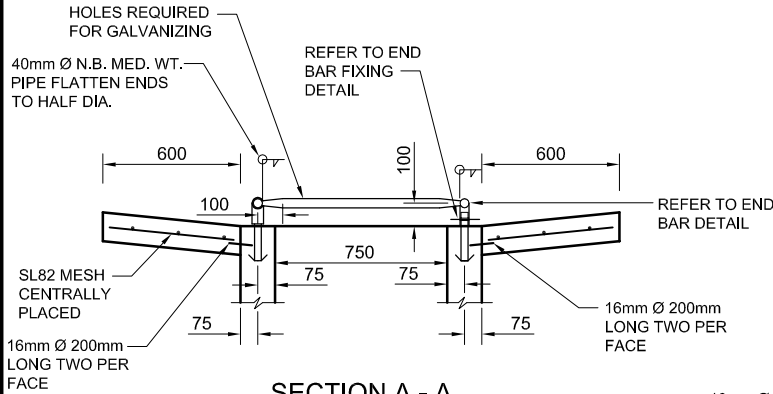


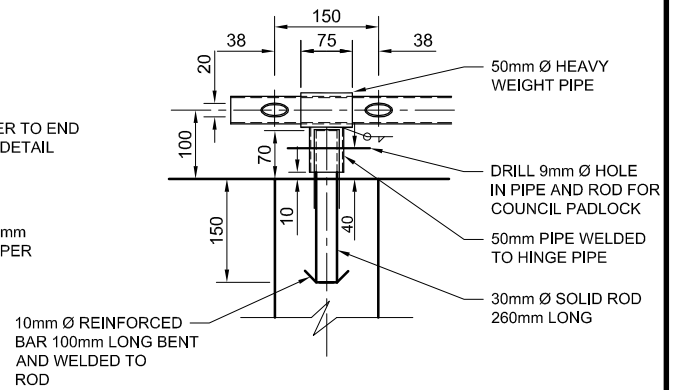
**END BAR DETAIL**



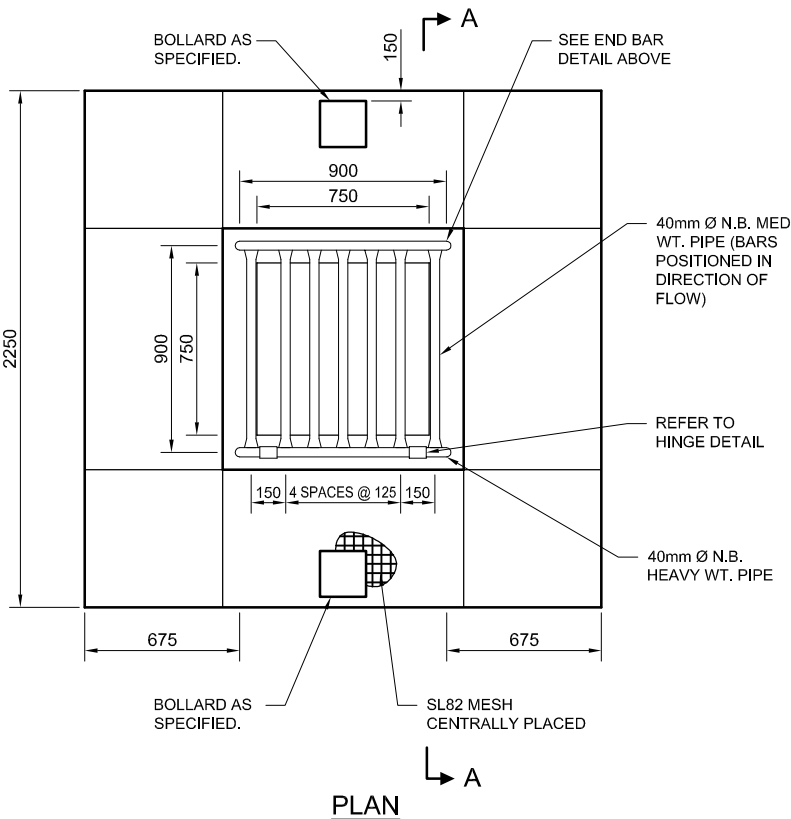
**END BAR FIXING DETAIL**



**SECTION A - A**



**HINGE DETAIL**



**PLAN**

**NOTES:**

1. ALL WELDS TO BE 6mm FILLET UNLESS SHOWN OTHERWISE.
2. AFTER FABRICATION GRILLE AND FIXING ROD TO BE HOT DIPPED GALVANIZED.
3. PADLOCKS TO BE PURCHASED FROM COUNCIL. (TYPE A5-101)
4. PROVIDE 2 SQUARE TYPE BOLLARDS AROUND PIT IN APRON.
5. TO BE LOCATED IN FLOOD-WAYS ONLY.
6. CONCRETE STRENGTH OF 25MPa AT 28 DAYS.

Drawing name: I:\Roads Shared\Standard Drawings May 2009\AutoCad Version\SD5-3.dwg (01 Jun, 2009)

Rev	Amendments	Approved	Date
B	Minor Drafting Modifications		13-05-07



**RAISED PIT GRILLE**  
(FOR PIT OPENING - 750 x 750)  
FLOODWAYS

Engineering Services Approval No.: ES001      Date: 21/05/09

Cad File: SD5-3.DWG  
Drawn Date: 02/02/09  
Revision: B  
Drawing No. **SD5-3**

**GENERAL NOTES:**

- DRAWINGS ARE NOT TO SCALE.
- ALL MEASUREMENTS ARE IN MILLIMETERS UNLESS OTHERWISE STATED.
- FOR UP TO DATE DRAWINGS PLEASE CHECK WYNDHAM CITY COUNCIL WEB SITE.
- ALL STANDARD DRAWINGS TO BE USED IN CONJUNCTION WITH SD1-1 (STANDARD CONDITIONS OF USE).