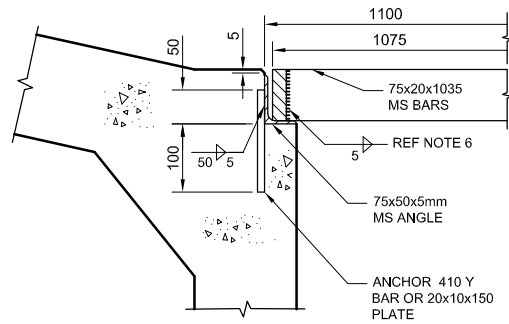
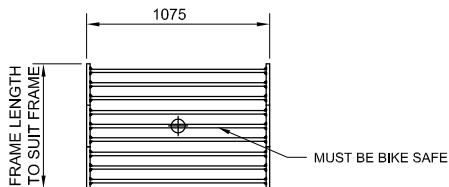


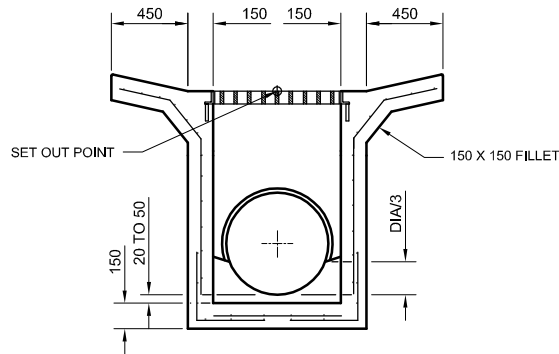
**PART SECTION B-B**



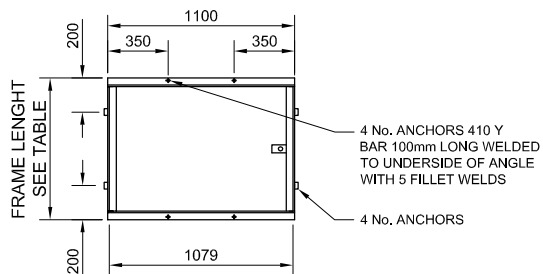
**FRAME SEATING DETAIL**



**GRATE UNIT**



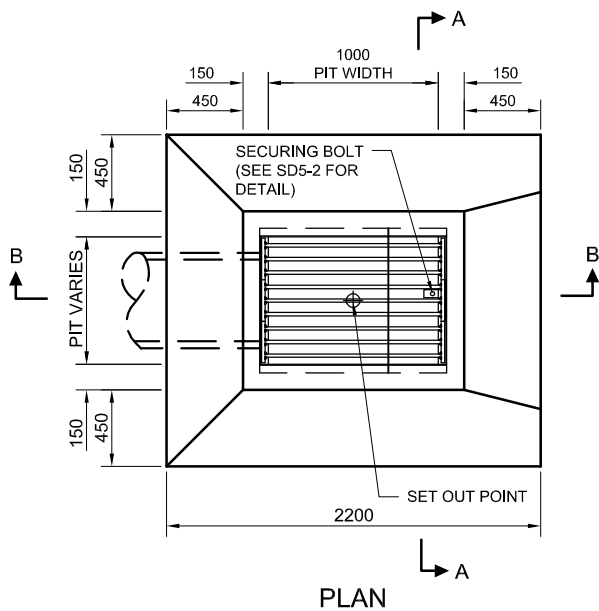
**SECTION A-A**



**GRATE FRAME**

PIT TYPE	PIT TOP INTERNAL DIM		FRAME LENGTH	NUMBER OF GRATE UNITS
	LENGTH	WIDTH		
1	750	1000	750	3
2	1000	1000	1000	4
3	1500	1000	1500	6
4	2000	1000	2000	8
5	2500	1000	2500	10

**PIT, FRAME AND GRATE DETAILS**



**NOTES:**

- THIS PIT IS FOR USE IN MEDIANS AND TABLE DRAINS. IT SHALL NOT BE USED IN ROADWAYS, FOOTPATHS OR BICYCLE PATHS.
- GRATE TO BE CLASS B IN ACCORDANCE WITH AS 3996 AND BIKE SAFE.
- GRATE FRAME TO BE CONSTRUCTED FROM 75x50x5mm MS ANGLE. CORNER JOINTS SHALL BE WELDED ON UNDERSIDE OF HORIZONTAL LEG AND ON THE INSIDE OF THE VERTICAL LEG WITH SIZE 5 FILLETS.
- ANCHOR SPACING NOT TO EXCEED 400mm.
- EXPOSED CONCRETE EDGES TO HAVE 10x10 CHAMFERS.
- PIT REINFORCEMENT TO BE IN ACCORDANCE WITH SD5-8, SD5-9, SD5-10 AND SD5-11.
- GRATES AND FRAMES TO BE HOT DIPPED GALVANIZED.
- ALL PITS TO BE LOCATED A MINIMUM OF 1m CLEAR OF VEHICLE CROSSINGS.
- ALL SECTIONS OF GRATE TO BE BOLTED DOWN.
- CONCRETE STRENGTH OF 25MPa AT 28 DAYS.

Drawing name: I:\Roads Shared\Standard Dwg Review 2007\SD5-1.dwg (22 May, 2009)

Rev	Amendments	Approved	Date
B	Minor Drafting Modifications		13-05-07



**GRATED PIT**  
DEPRESSED STEEL GRATE  
FOR MEDIANS AND TABLE DRAINS

Engineering Services Approval No.: ES001      Date: 21/05/09

Cad File: SD5-1.DWG
Drawn Date: 02/02/09
Revision: B
Drawing No. <b>SD5-1</b>

**GENERAL NOTES:**

- DRAWINGS ARE NOT TO SCALE.
- ALL MEASUREMENTS ARE IN MILLIMETERS UNLESS OTHERWISE STATED.
- FOR UP TO DATE DRAWINGS PLEASE CHECK WYNDHAM CITY COUNCIL WEB SITE.
- ALL STANDARD DRAWINGS TO BE USED IN CONJUNCTION WITH SD1-1 (STANDARD CONDITIONS OF USE).