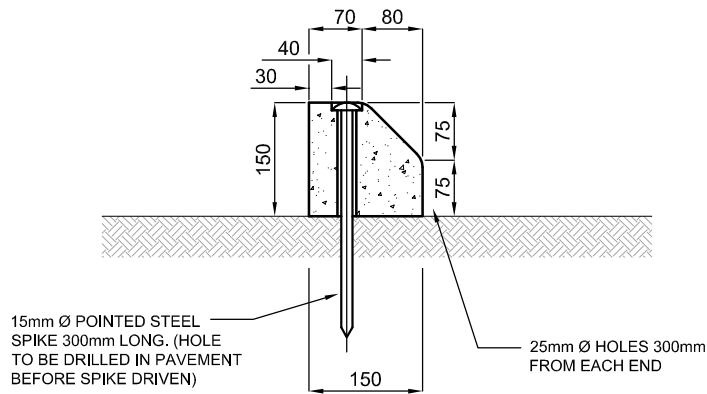


SPIKED SM1 (CAST IN-SITU)



SPIKED BARRIER KERB (PRECAST)

NOTES:

1. SPIKES TO BE HOT DIPPED GALVANISED.
2. CONCRETE MIX TO BE 280KG CEMENT PER CUBIC METRE OF CONCRETE

Drawing name: I:\Roads Shared\Standard Dwg Review 2007\SD1-4.dwg (22 May, 2009)

Rev	Amendments	Approved	Date
B	Dimensions added. Minor drafting modifications.		19-06-07



STANDARD SPIKED KERBS

Engineering Services Approval No.: ES001

Date: 21/05/09

Cad File: SD1-4.DWG

Drawn Date: 02/02/09

Revision: B

Drawing No.

SD1-4

GENERAL NOTES:
 -DRAWINGS ARE NOT TO SCALE.
 -ALL MEASUREMENTS ARE IN MILLIMETERS UNLESS OTHERWISE STATED.
 -FOR UP TO DATE DRAWINGS PLEASE CHECK WYNDHAM CITY COUNCIL WEB SITE.
 -ALL STANDARD DRAWINGS TO BE USED IN CONJUNCTION WITH SD1-1 (STANDARD DRAWINGS CONDITIONS OF USE).